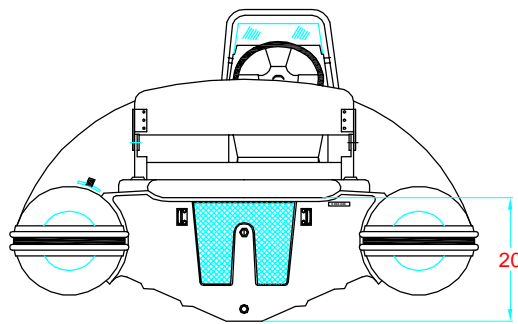
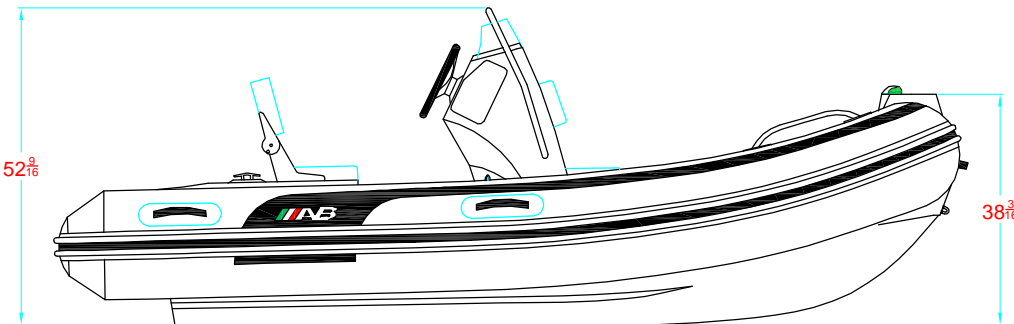


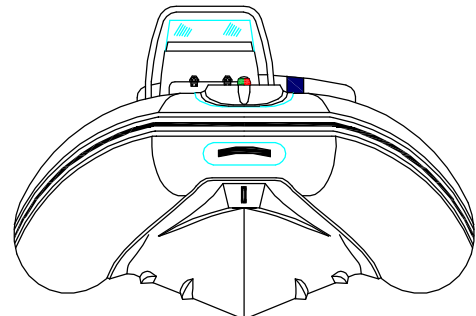
PLANT VIEW  
VISTA SUPERIOR



AFT VIEW  
VISTA TRASERA



LONGITUDINAL PROFILE  
VISTA LATERAL




FORE VIEW  
VISTA FRONTAL

MAIN PARTICULARS

MAXIMUM LENGHT/ESLORA MAX. \_\_\_\_\_ 13' (3.96m)  
 MAXIMUM BEAM/MANGA MAX. \_\_\_\_\_ 6' 4" (1.93m)

NOTES: 1.-ALL DIMENSIONS IN INCHES  
 TODAS LAS MEDIDAS ESTAN DADAS EN PULGADAS

SUBJECTED: ALEXANDER BARRIOS		TITLE: "OCEANUS 13 VST " GENERAL ARRANGEMENT ARREGLO GENERAL					
APPROVED: HERMES GARCIA		SCALE:	SHEET: 1/1	CODE:	PLAN: ARTIGI.13 VST		
						DATE: 03.08.12	DRAWN: HECTOR SUAREZ
						DATE:	APPROVED: